

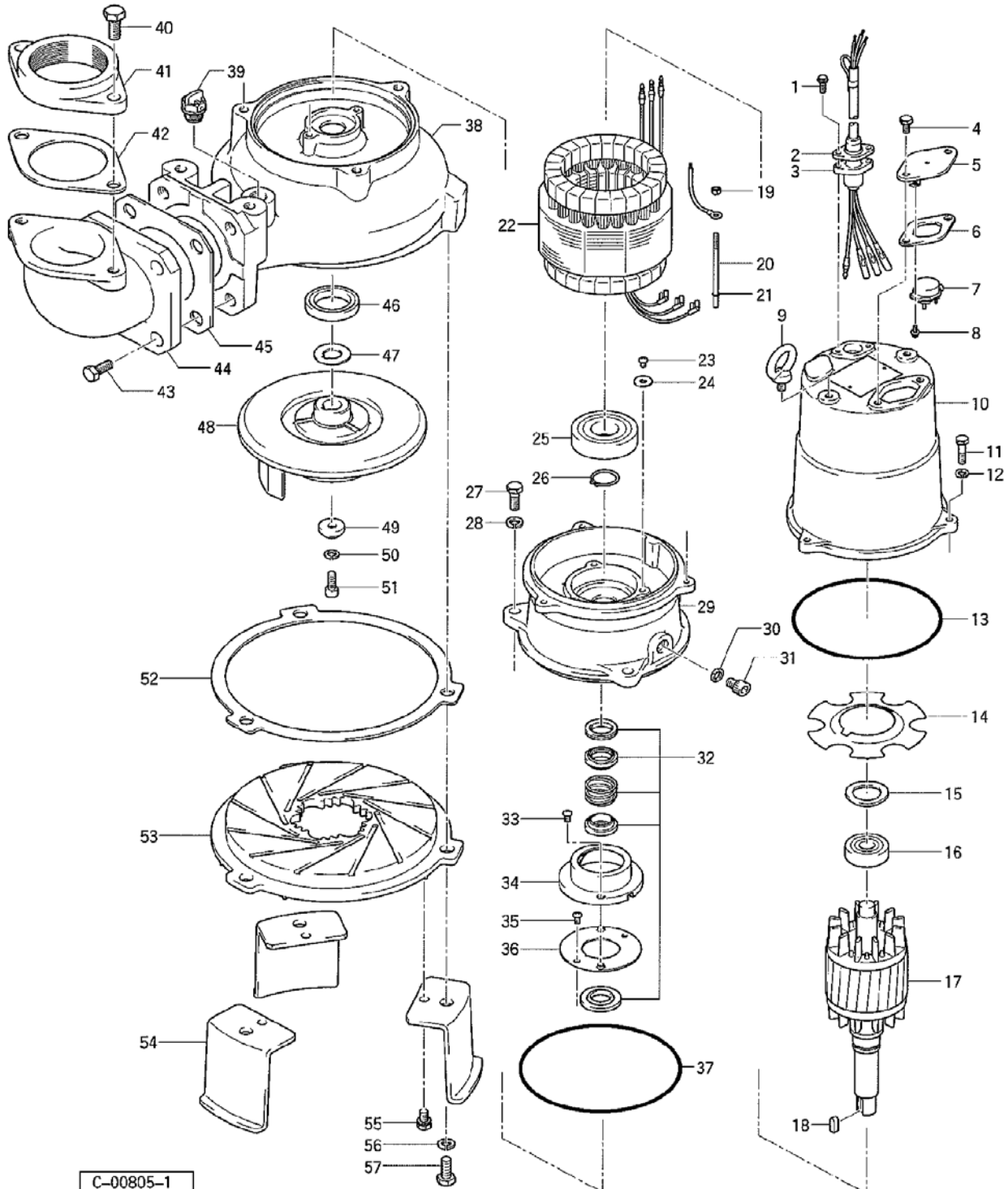
PARTS LIST		CUTTER PUMP			4/9/2018	
ITEM	PART No.	DESCRIPTION	QTY	SIZE	MATERIAL	NOTES
1	140-427-17	Hex.Bolt (w/Plain Washer)	2	M5x15	SUS304	
2	003-190-10	Gland	1		SUS316	
3	001-803-20	Cabtyre Cable Set (32') 60Hz (USA)	1	VCT4Cx1.25mm2	LBT	
4	140-052-17	Hex.Bolt	2	M8x16	SUS304	
16	127-107-17	Protector Fixing Plate	1	22/37-BE2	SUS304	replaces OLD part# 127-195-12
6	121-446-13	Packing	1	22/37-BE2	NBR	*
7	053-001-37	Motor Protector 208/230V-60Hz(USA)	1	KA313-GQZL101	(T.C)	
	053-199-14	Motor Protector 460V-60Hz(USA)	1	KA311-DAXL78	(T.C)	
8	143-014-16	Pan Screw	2	M4x8	SWRM	
9	072-100-20	Eye Bolt	2	M10	SUS304	
10	064-000-73	Motor Frame	1		FC	
11	140-036-15	Hex.Bolt	3	M6x25	SUS304	
12	142-162-17	Spring Washer	3	M6	SUS304	
13	122-285-15	O-Ring	1	155xd3.1	NBR	*
14	058-000-13	Lead Wire Protection Plate	1	d61xd132x2t	Bakelite	
15	142-195-19	Wave Washer	1	6204/6303(d47x,0.3t)	SK5	
16	052-000-35	Bearing (w/O-ring)	1	AC-6303ZZC3		
17	055-001-25	Rotor	1Set			
18	147-000-31	Impeller Key	1	5x5x22L	SUS304	
19	141-003-58	Hex.Nut	1	M5	SWRM	
20	129-000-06	Stopper	1	M5x103(17/20)	SS	
21	146-000-09	Retaining Ring	1	E4	S60CM	
22	056-003-58	Stator 208/230V-60Hz(USA)	1Set			
	056-003-65	Stator 460V-60Hz(USA)	1Set			
23	143-042-13	Pan Screw	3	M6x10	SWRM	
24	062-196-19	Bearing Fixing Washer	3	d8xd20.5x2.3t	SS	
25	052-109-14	Bearing	1	6306ZZC3		
26	146-019-10	Retaining Ring	1	C30	SK5	
27	140-076-17	Hex.Bolt	3	M10x30	SUS304	
28	142-164-19	Spring Washer	3	M10	SUS304	
29	060-000-77	Bearing Housing	1		FC	
30	121-246-11	Packing	1	d10.3xd16x2t	PE	*
31	035-124-12	Oil Plug	1	M10x15	SUS304	
32	025-193-11	Mechanical Seal	1	H-25	SIC	
33	143-070-23	Pan Screw	2	M5x6	SWRM	
34	030-143-12	Oil Lifter	1	H-25(A)(T)	Resin	
35	143-070-10	Pan Screw	2	M5x6	SWRM	
36	030-152-14	Seal Stopper	1	H-25(A)(T)	SPCC	

PARTS LIST		CUTTER PUMP			4/9/2018	
ITEM	PART No.	DESCRIPTION	QTY	SIZE	MATERIAL	NOTES
37	122-284-14	O-Ring	1	164.69xd3.53	NBR	*
38	020-002-13	Pump Casing (US Spec only)	1	80C41.5-CR-63	FC	
	020-998-19	Pump Casing (International Spec)	1	80C41.5-CR-53/63	FC	use w/021-Q71-14 impeller (50Hz) or 021-Q72-15 (60Hz) impeller
39	046-107-13	Air Release Valve	1	PT-1/2	Nylon	
40	140-099-16	Hex.Bolt	2	M12x40	SUS304	
41	048-182-18	Screwed Flange	1	NPT-3(P.C.140)	FC	
42	121-137-18	Packing	1	MBT(P.C.140)	NBR	*
43	140-123-10	Hex.Bolt	4	M16x35	SUS304	
44	037-118-19	Discharge Bend	1	80mm(123-17)	FC	
45	121-152-19	Packing	1	145mm2(P.C.145)	NBR	*
46	026-144-49	Oil Seal	1	TC-40588	NBR	
47	040-106-27	Impeller Shim		d20.2xd30x0.3t	SUS304	
48	021-007-41	Impeller (60Hz)	1	80C41.5-CR-63	HiCrFC	
	021-Q72-15	Impeller (60Hz) **optional**	1	80C41.5-63	FC	low cost FC option
	021-Q71-14	Impeller (50Hz) **optional**	1	80C41.5-53	FC	50Hz FC impeller
49	142-106-13	Impeller Fixing Washer	1	d9xd27x12t	SUS430	
50	142-163-18	Spring Washer	1	M8	SUS304	
51	140-268-18	Hex.Socket Cap Bolt	1	M8x20	SUS304	
52	120-104-13	Packing (S.Cover)		d230.5xd258x0.3t	M-Sheet	
53	022B4913	Suction Cover	1	22/37-CE2	HiCrFC	
54	023-469-15	Pump Stand	3	22/37-BE3	SPHC	
55	140-486-14	Hex.Bolt (w/Spring Washer)	3	M8x20	SUS304	
56	142-165-10	Spring Washer	3	M12	SUS304	
57	140-097-14	Hex.Bolt	3	M12x30	SUS304	
		Packing O-Ring Set				
	173-001-05	Packing O-Ring Set	1Set	(Marked by *)		
6	121-446-13	Packing (Protector Fixing Plate)	1	22/37-BE2	NBR	*
13	122-285-15	O-Ring (M.Frame/Brg.Housing)	1	155xd3.1	NBR	*
30	121-246-11	Packing (Oil Plug)	1	d10.3xd16x2t	PE	*
37	122-284-14	O-Ring (M.Frame/P.Casing)	1	164.69xd3.53	NBR	*
42	121-137-18	Packing (Screwed Flange)	1	MBT(P.C.140)	NBR	*
45	121-152-19	Packing (Discharge Bend)	1	145mm2(P.C.145)	NBR	*
		Lubricant		Turbine Oil VG32 970ml		

PARTS LIST		CUTTER PUMP				4/9/2018
ITEM	PART No.	DESCRIPTION	QTY	SIZE	MATERIAL	NOTES

EXPLODED VIEW

80C41.5-CR-63





MODEL **80C41.5-CR-63**

PARTS LIST		CUTTER PUMP					4/9/2018
ITEM	PART No.	DESCRIPTION	QTY	SIZE	MATERIAL	NOTES	